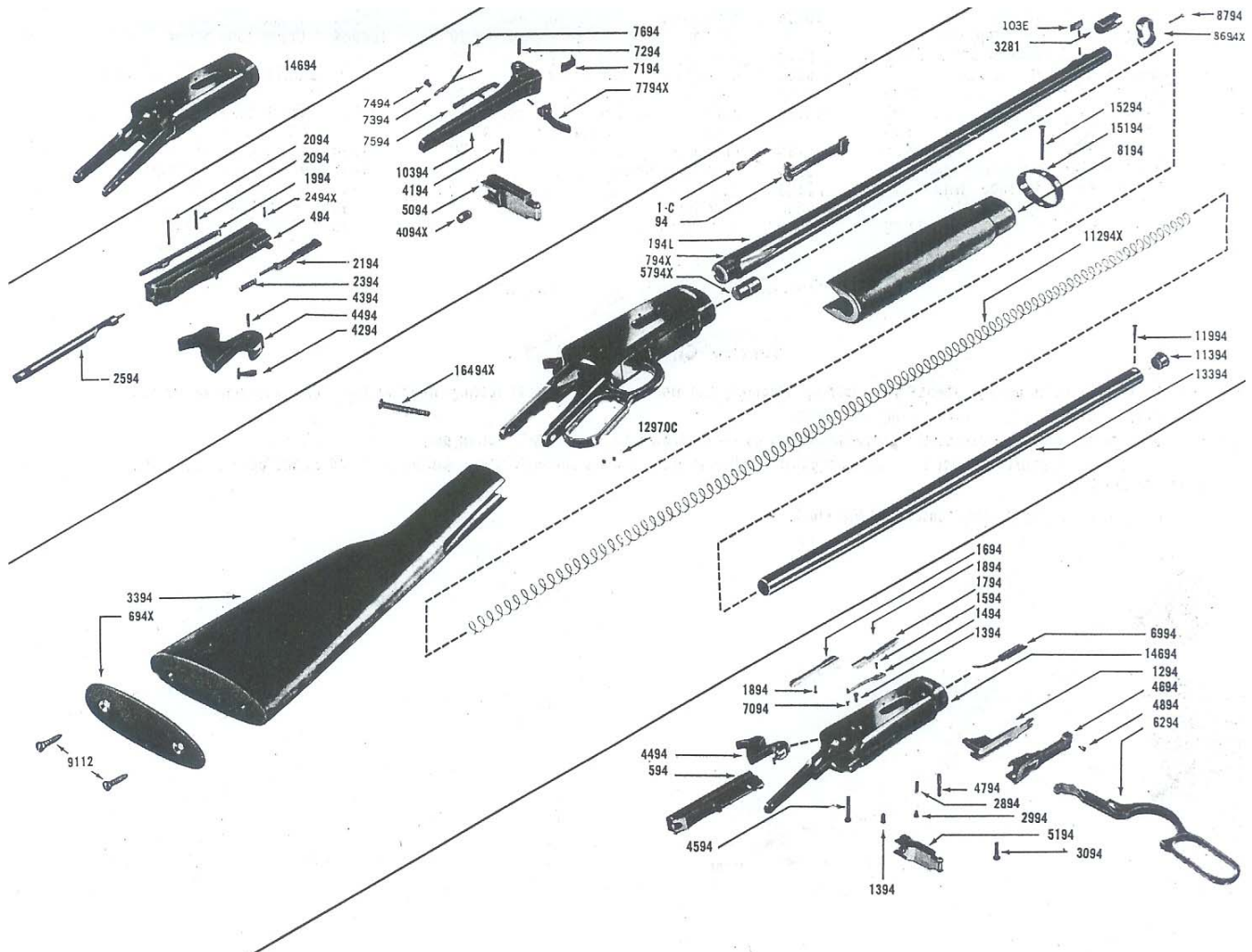


# Winchester pre-64 model 94 Carbine

## Top Eject

Actual load times may take a while as these scanned pictures may be large, & depending on the speed of your computer & server



Part numbers listed above & below are factory part numbers. In this illustration from a Winchester 1978 catalog, will be correct for guns made between about 1936 to 1964. These parts except the stocks, barrel & magazine length for the rifle will still fit many of the regular older rifles. The few parts that have a number that has an X suffix behind it indicates that the X part is identical & is used on the post 64 version.

Parts listed below in **RED** bold letters are the parts that we currently make & have for sale  
other numbers are for identification purposes only.

<b>194</b>	Barrel, Carbine with ramp. full mag, 30-30 20"	<b>4794</b>	<b>Link Pin</b>
<b>794</b>	Barrel, Carbine with ramp. full mag, 32 WS 20"	<b>4894</b>	<b>Link Pin Stop Screw</b>
<b>494</b>	Breech Bolt with Extractor & Pin	<b>5094</b>	<b>Locking Bolt, Standard</b>
<b>3394</b>	Butt Stock, Carbine	<b>5094.005</b>	<b>Locking Bolt, .005 Oversize</b>
<b>4394</b>	Butt Plate, Carbine	<b>5094.010</b>	<b>Locking Bolt, .010 Oversize</b>
<b>4494</b>	Butt Plate Screws	<b>5094.015</b>	<b>Locking Bolt, .015 Oversize</b>

<b>1294</b>	<b>Carrier (Improved Version)</b>	<b>10394</b>	Lower Tang, Straight Grip
<b>1394</b>	<b>Carrier Screw (2 Required)</b>	<b>11094</b>	<b>Magazine Follower</b>
<b>1494</b>	<b>Carrier Spring</b>	<b>11394</b>	<b>Magazine Plug</b>
<b>1594</b>	<b>Carrier Spring Screw</b>	<b>11994</b>	<b>Magazine Plug Screw</b>
<b>1694</b>	Cartridge Guide, RH	<b>11294</b>	Magazine Spring
<b>1794</b>	Cartridge Guide, LH	<b>13394</b>	<b>Magazine Tube, Carbine, 19 1/4" OAL</b>
<b>1894</b>	<b>Cartridge Guide Screws (2 Required)</b>	<b>10694</b>	<b>Mainspring SG</b>
<b>1994</b>	<b>Extractor</b>	<b>5594</b>	<b>Mainspring Screw</b>
<b>2094</b>	<b>Extractor Pin</b>	<b>5694</b>	<b>Mainspring Strain Screw</b>
<b>2194</b>	Ejector	<b>6464A</b>	<b>Peep Sight Plug Screw</b>
<b>2394</b>	Ejector Spring	<b>15194</b>	Rear Band, Carbine
<b>2494</b>	Ejector stop Pin	<b>15294</b>	<b>Rear Band Screw, Carbine</b>
<b>6294</b>	Finger Lever, Straight Grip	<b>7194</b>	<b>Sear</b>
<b>2894</b>	<b>Finger Lever Pin</b>	<b>7294</b>	Sear Pin
<b>2994</b>	<b>Finger Lever Pin Stop Screw</b>	<b>12970C</b>	Sight Plug Screw (2 Required)
<b>3094</b>	<b>Finger Lever Link Screw</b>	<b>6994</b>	<b>Spring Cover</b> (sometimes referred to as the loading gate)
<b>2594</b>	<b>Firing Pin</b>	<b>7094</b>	<b>Spring Cover Screw</b>
<b>4094</b>	<b>Firing Pin Striker</b>	<b>7794</b>	Trigger
<b>4194</b>	<b>Firing Pin Striker Stop Pin</b>	<b>7394</b>	Trigger Stop Spring
<b>2094</b>	Firing Pin Stop Pin	<b>7494</b>	<b>Sear &amp; Safety Latch Spring Screw</b>
<b>8194</b>	Forearm, Carbine, Full Magazine	<b>7594</b>	Trigger Stop
<b>8794</b>	<b>Front Band Screw, Carbine</b>	<b>7694</b>	Trigger Stop Pin
<b>3794</b>	<b>Friction Stud</b>	<b>16494</b>	<b>Upper Tang Screw (Rear Tang Screw)</b>
<b>3894</b>	Friction Stud Spring	<b>3281</b>	Front Sight Cover, Carbine
<b>3994</b>	<b>Friction Stud Stop Pin</b>	<b>103H</b>	Front Sight, .260 High --carbine
<b>4294</b>	Hammer Stirrup	<b>103E</b>	Front Sight, .310 High --carbine
<b>4394</b>	Hammer Stirrup Pin	<b>22-K</b>	Rear Sight, Carbine
<b>4494</b>	Hammer Only	<b>3-C</b>	Rear Sight Elevator
<b>4594</b>	<b>Hammer Screw</b>	<b>1-C</b>	Rear Sight Elevator, (Original Style)
<b>4694</b>	Link	.	.
<i>older model 1894 obsolete rifles not listed above, see our parts listing</i>			
<b>11694</b>	Magazine Plug, Full Magazine (Take-Down)	<b>14155</b>	<b>Magazine Lever, 1/2 mag &amp; model 55 (Take-Down)</b>
<b>14194</b>	Magazine Lever (Take-Down)	<b>11855</b>	<b>Magazine Plug 1/2 mag (Take-Down)</b>
<b>14294</b>	Magazine Lever Screw (Take-Down)	<b>13255</b>	<b>Magazine Tube, 1/2 Magazine (Take-Down)</b>
<b>14394</b>	Magazine Lever Plunger (Take-Down)	<b>.?</b>	<b>Finger Lever, 1/2 Pistol Grip</b>
<b>14494</b>	Magazine Lever Plunger Spring (Take-Down)	<b>12194</b>	<b>Magazine Ring -Pinned-Rifle-Solid Frame</b>
<b>12594</b>	Magazine Tube, Full Magazine (Take-Down)	<b>12394</b>	<b>Magazine Ring Pin-Solid Frame</b>
<b>12294</b>	Magazine Ring (Take-Down)	<b>12494</b>	<b>Magazine Tube - rifle 30-30/44-40 (25 1/4")</b>
<b>.?</b>	Barrel extension (Take-Down)	.	.

For prices of parts that we do make for this model, click here for [Link to Winchester 94 Parts](#)

All information appearing on this page, Copyright © 1996-2007 Wisner's Inc., with credit given for original illustrations. All Rights Reserved

[Back to Exploded Views](#)