

Savage, Fox, Springfield & Stevens Model 5100

NUMRICH Gun Parts Corporation

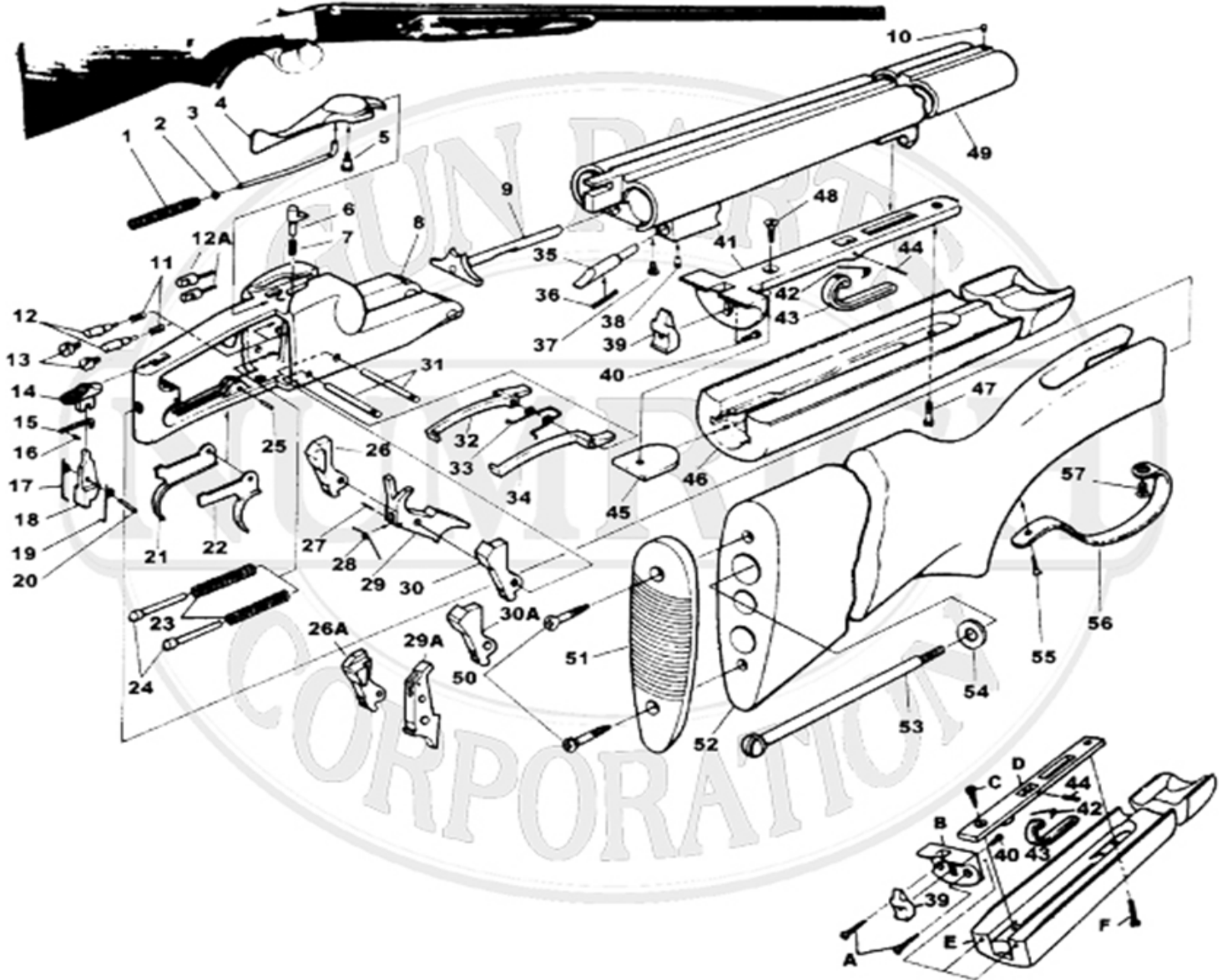
The World's Largest Supplier of Firearm Parts & Accessories

PO Box 299 • West Hurley, NY 12491-0299

226 Williams Ln • Kingston, NY 12401-7240

Orders: (845)679-2417 • Customer Service: (845)679-4867

TOLL-FREE ORDER LINE: 866-NUMRICH (866-686-7424)



Key Number	Item Number	Description
1	173210C	Top Snap Plunger Spring
10	146560Y	Front Sight
11	998370A	Firing Pin Spring-Original (2 Req'd)
11	279280E	Firing Pin Spring-Replacement (2 Req'd)
12	163910C	Firing Pin (2 Req'd)
13	163970B	Firing Pin Retaining Screw (2 Req'd)*
14	163980A	Safety Button
15	163990C	Safety Spring
16	164000C	Safety Plunger
17	167010B	Trigger Spring-Left
18	167020B	Safety Lever
19	167030B	Trigger Spring-Right
2	173180C	Top Snap Plunger Collar
20	167040B	Safety Lever Pin
21	167050B	Trigger-Left
22	167060B	Trigger-Right
23	167070A	Mainspring
24	167080D	Mainspring Plunger-1.440"
25	167090B	Trigger Pin
26	167130A	Hammer-Left*
26A&29A&30A	597970-02A	Cocking Lever & Hammer Kit
27	167150B	Cocking Lever Spring Pin
28	167160B	Cocking Lever Spring
29	176670A	Cocking Lever & Spring*
3	164010C	Top Snap Plunger
30	167310A	Hammer-Right*
31	167410I	Cocking Lever-Hammer & Sear Pin (2 Req'd)
32	167470B	Sear-Left*
33	167530A	Sear Spring
34	167550A	Sear-Right
35	167570D	Cocking Plunger-1.720 OAL
35	1156490A	Cocking Plunger-1.850 OAL*
36	104520B	Cocking Plunger Spring
37	167650B	Extractor Screw
38	167930A	Cocking Plunger Retaining Screw
39	167750E	Ejector
4	163570B	Top Snap
40	167770C	Ejector Screw
41	167820A	Forend Iron-New Style-Two Piece*
42	172660D	Forend Spring Spring
43	172480D	Forend Spring
44	172600C	Forend Spring Pin
45	172370A	Forend Insert-Old Style*
46	989310A	Forend Assembly-20 Ga.-New Style-Plain Walnut
46	170410A	Forend Assembly-Complete-.410 Ga.-Old Style*
46	170390A	Forend Assembly-Complete-12 & 16 Ga.-Old Style*
46	170400A	Forend Assembly-Complete-20 Ga.-Old Style*
46	170800A	Forend Wood-.410 Ga.-Press Checkered-Old Style (To Use w/ Iron Spacer)*
46	170820A	Forend Wood-12 & 16 Ga.-Press Checkered-Old Style (To Use w/ Iron Spacer)*
46	171520A	Forend Wood-20 GA.-Old Style-Press Checkered*
46	1071390A	Forend-.410 Ga.-Plain-Old Style (To Use w/ Iron Spacer)
46	1072090A	Forend-12 Ga.-Beavertail-Checkered Plastic-Early Style*
46	1071770A	Forend-12 Ga.-Checkered Plastic-Standard-Early Style
46	1071990A	Forend-20 Ga.-Standard-Early Style-Checkered Plastic
47	105420-02C	Forend Screw-Front
48	170520B	Forend Screw-Rear
49	171620-04A	Barrel Assembly-Complete-.410 Ga.*
49	171620-01A	Barrel Assembly-Complete-12 Ga.-28"-Used*
49	171620-02A	Barrel Assembly-Complete-16 Ga.-28"-Used*
49	171620-03A	Barrel Assembly-Complete-20 Ga.-28"

5	163630B	Top Snap Screw
50	148770BC	Buttplate Screw (2 Req'd)
51	979430I	Buttplate-Replacement
52	172820E	Stock Assembly-Hardwood W/ Buttplate
53	148950E	Stock Bolt
54	148970O	Stock Bolt Washer
55	173310K	Trigger Guard Screw
56	173270B	Trigger Guard
57	172790A	Trigger Guard Screw-Front
65	164670B	Stock w/ Buttplate-Walnut-Replacement
7	163680C	Top Snap Trip Spring
9	163800B	Extractor Blank
9	346110A	Extractor-.410 Ga.
9	346060A	Extractor-12 Ga.
9	346090A	Extractor-16 Ga.
9	1038280A	Extractor-16 Ga.
9	346100A	Extractor-20 Ga.
A	403510CC	Forend Iron Head Screw (2 Req'd)
B	176460A	Forend Iron Head-New Style
C	176470A	Forend Screw-Rear-New Style
D	176480A	Forend Spring Housing-New Style
E	176540A	Forend Wood-20 Ga.-Plain-New Style
E	1071670A	Forend-.410 Ga.-Cut Checkered-New Style*
E	176560C	Forend-.410 Ga.-Plain Wood-New Style
E	1071660A	Forend-.410 Ga.-Press Checkered-New Style
E	1071680A	Forend-20 Ga.-Cut Checkered-New Style
E	1071700A	Forend-20 Ga.-Plain Walnut-New Style
E	1071690A	Forend-20 Ga.-Press Checkered-New Style
F	119580D	Forend Screw-Front-New Style-.905 OAL-NI
G	176590A	Forend Metal Parts Kit-New Style
NI	1118800B	Barrel Lug Blanks
NI	1072080A	Forend Assembly-.410 Ga.-Cut Checkered Walnut-New Style
NI	176570A	Forend Assembly-.410 GA.-New Style-Plain Hardwood-NI
NI	176630A	Forend Assembly-16 Ga.-Standard-Early Style-Checkered Plastic-NI
NI	1072070A	Forend Assembly-20 Ga.-Cut Checkered Walnut-New Style
NI	176550A	Forend Assembly-20 GA.-New Style-Plain Hardwood-NI
NI	170360A	Forend Iron Assembly-Old Style (Includes 39-44)-NI*
NI	176490A	Forend Spring Housing Assembly-New Style-NI
NI	176640A	Forend-.410 Ga.-Standard-Early Style-Checkered Plastic-NI
NI	176650A	Forend-16 Ga.-Early Style-Beavertail-Checkered Plastic-NI
NI	597960A	Forend-16 Ga.-Standard-Early Style-Checkered Plastic-NI
NI	164810B	Inertia Block Screw-NI
NI	164170D	Inertia Block Spring Screw-NI
NI	164160D	Inertia Block Spring-NI
NI	1040850A	Joint Pin-12 Ga.-1.590"-.310 Dia-NI
NI	1117840A	Joint Pin-20 Ga.-1.505"-.310 Dia
NI	164080D	Slide Spring-NI
NI	163840C	Slide-NI
NI	583530A	Stock-Pistol Grip-New-Walnut
NI		Not Illustrated